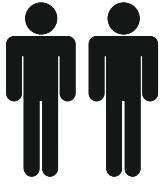
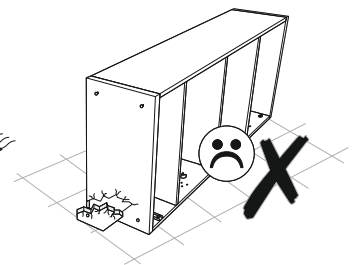
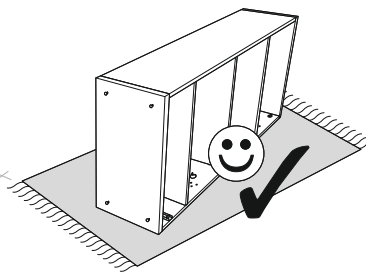
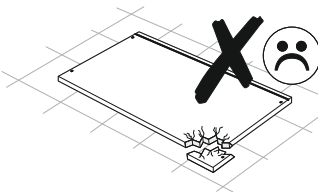
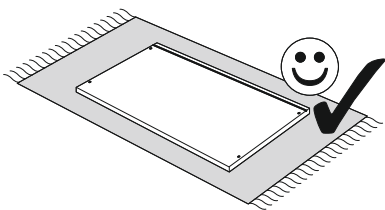
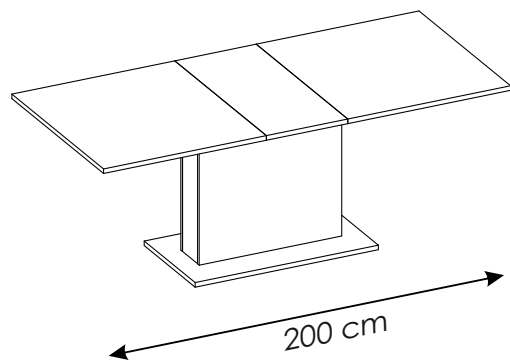
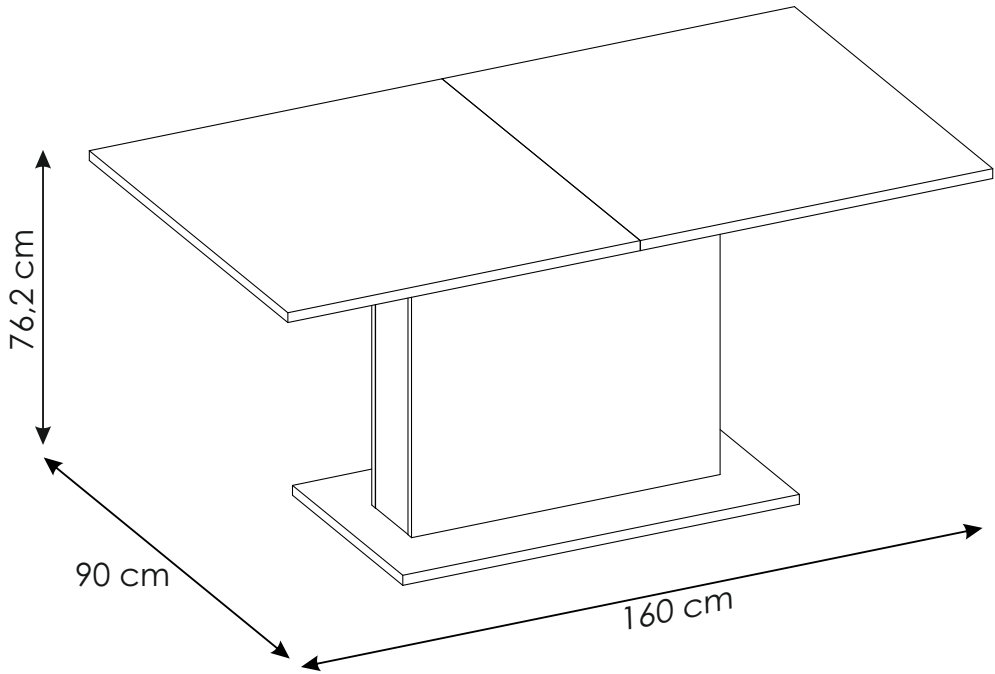
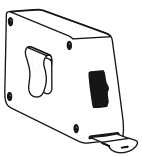
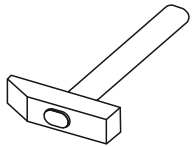
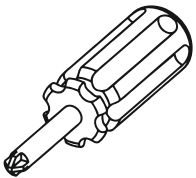
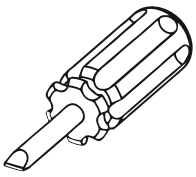
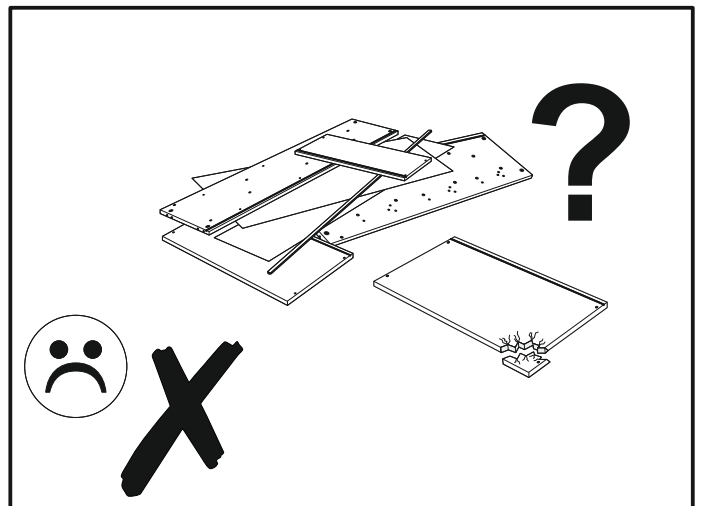
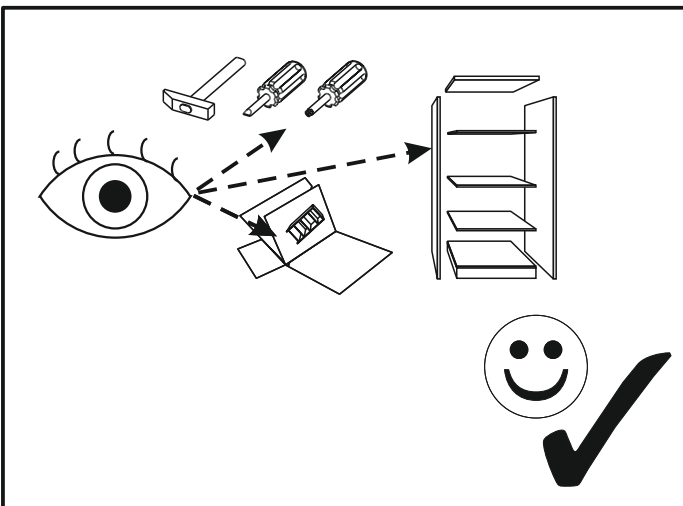
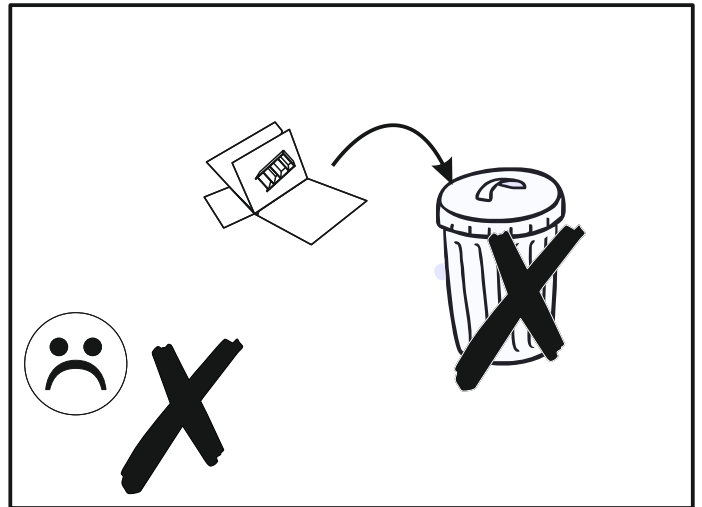
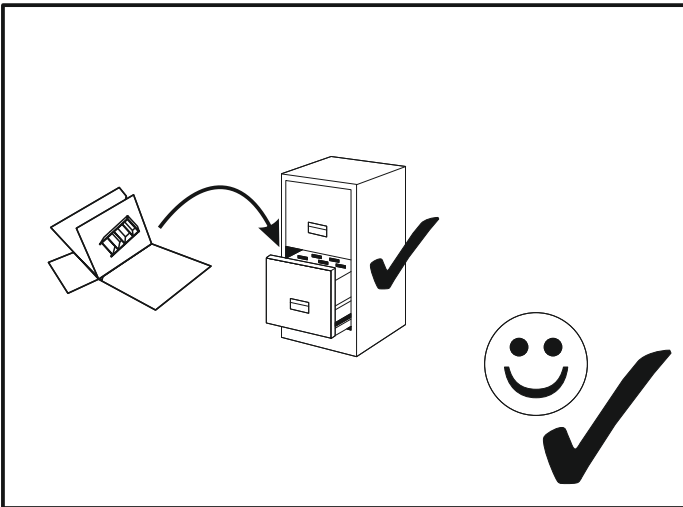
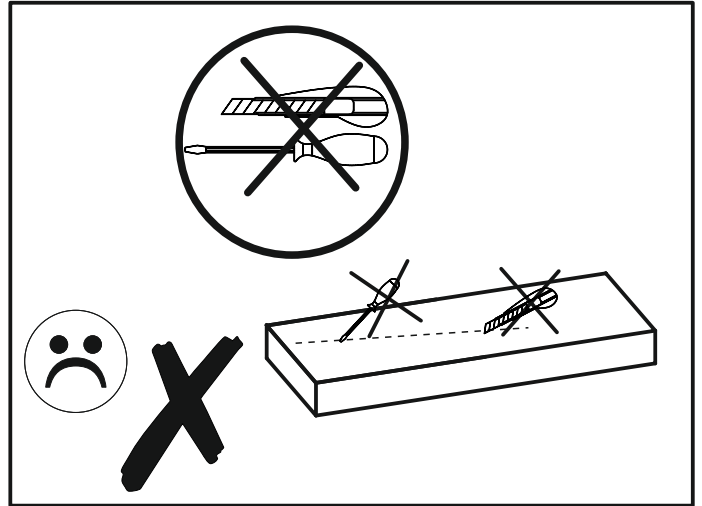
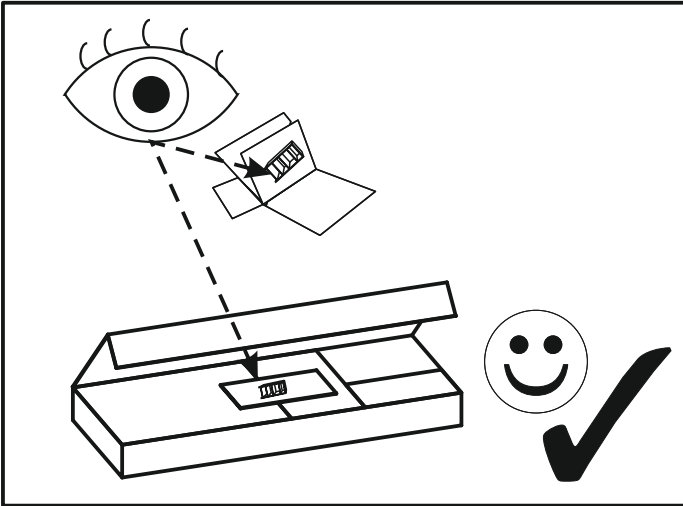


BROT02

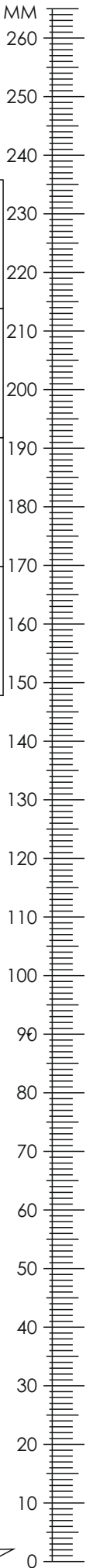


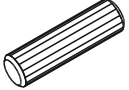

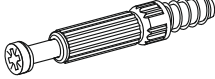

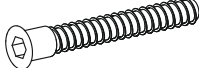

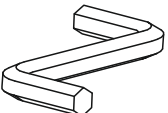
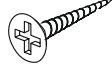
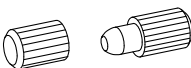

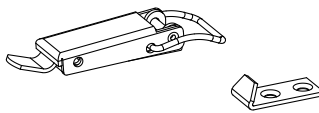
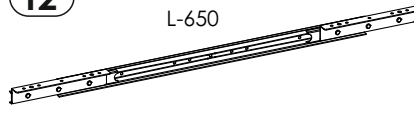
50 MIN

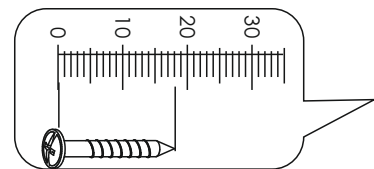




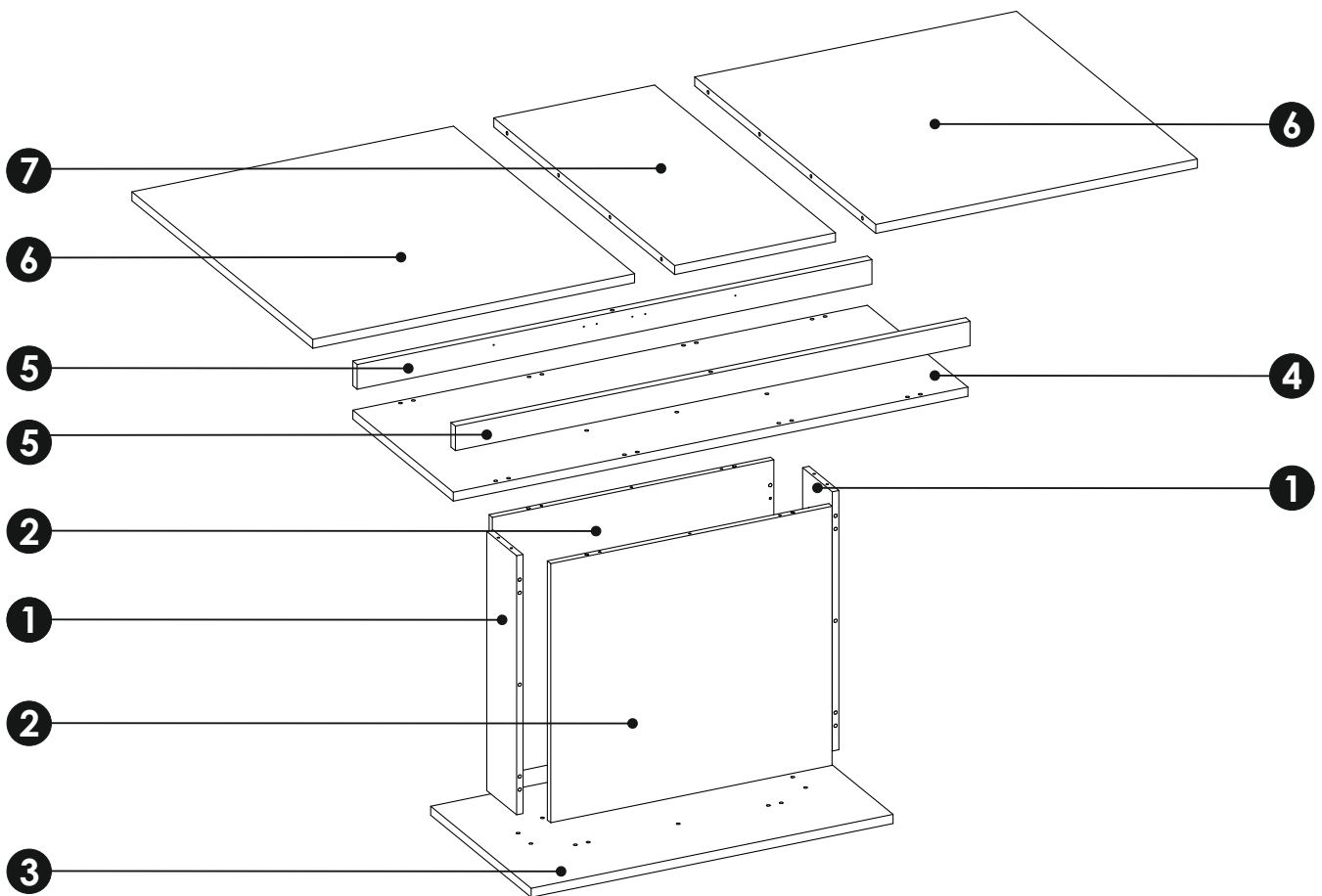
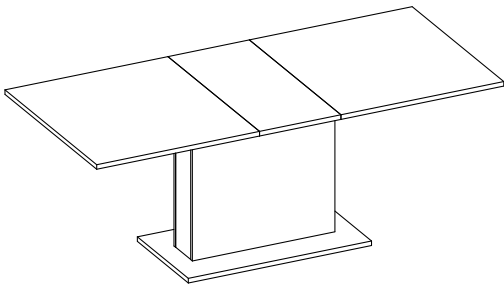
BROT02



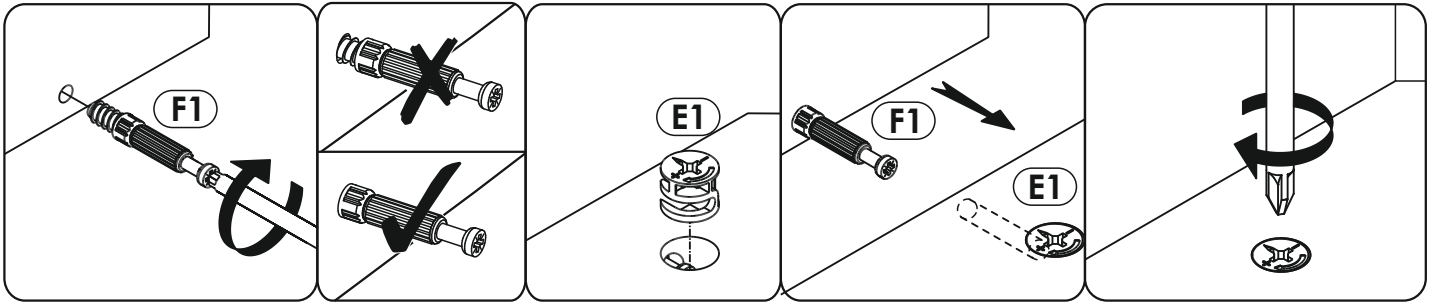
A1 8 x 35 mm x28 	E1 15 x 12 mm x8 	F1 6 x 34 mm x8 
G0 x18 	G1 7 x 50 mm x28 	J3 4 x 20mm x36 
M x1 	N1 3 X 16 mm x20 	R8 x10 
R11 20 mm x14 	S10 x4 	T2 L-650 x2 



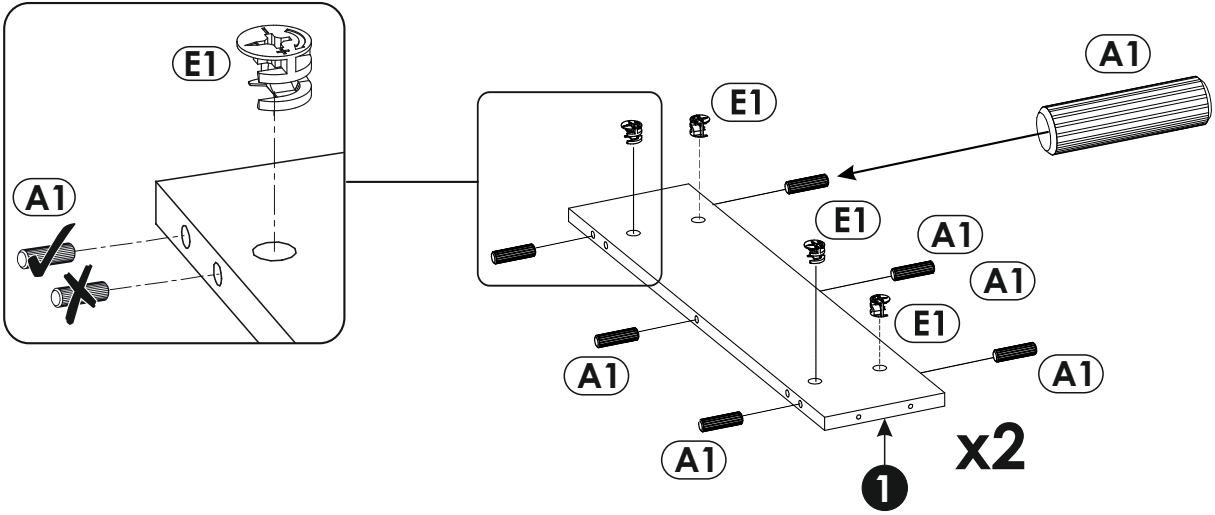
BROT02



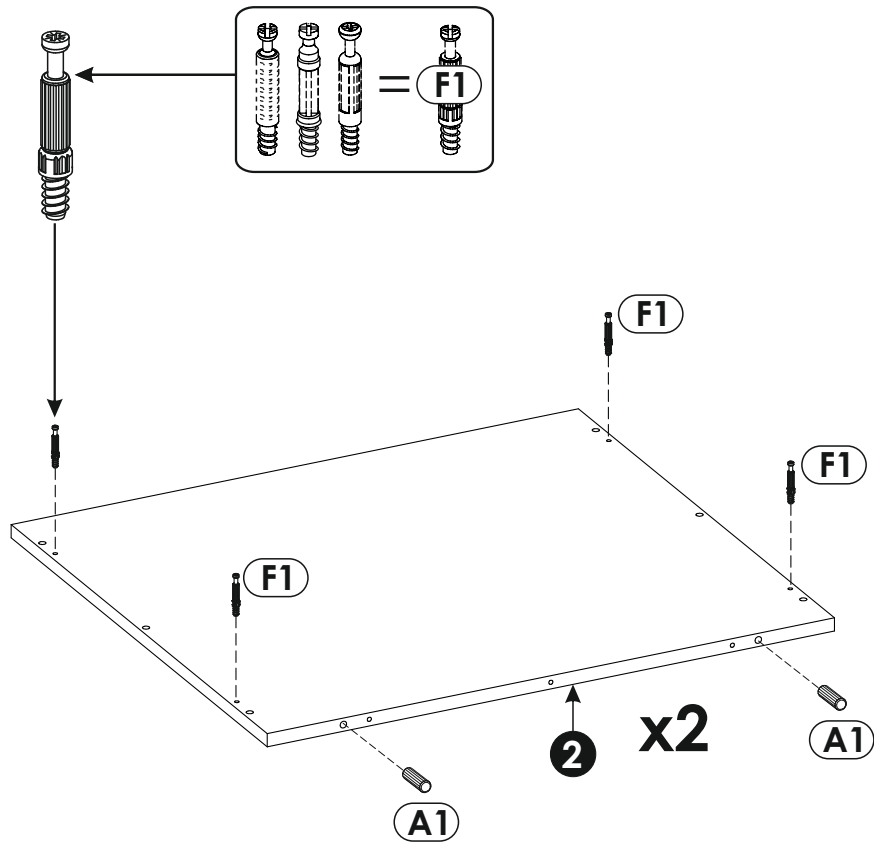
1	148	632	16 x2	2/2
2	700	632	16 x2	1/2
3	900	500	22 x1	2/2
4	1280	500	22 x1	2/2
5	1280	60	22 x2	2/2
6	900	800	22 x2	1/2
7	900	400	22 x1	2/2



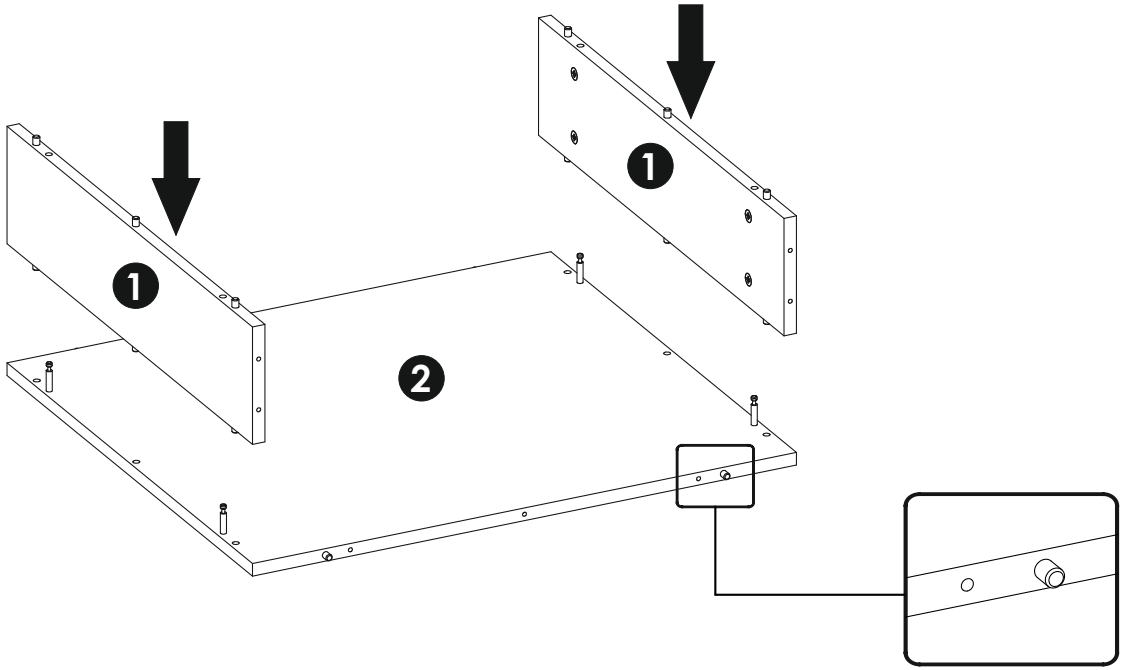
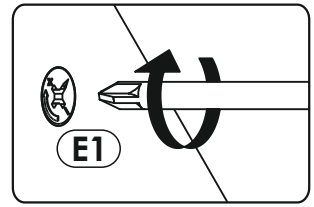
1 ▶



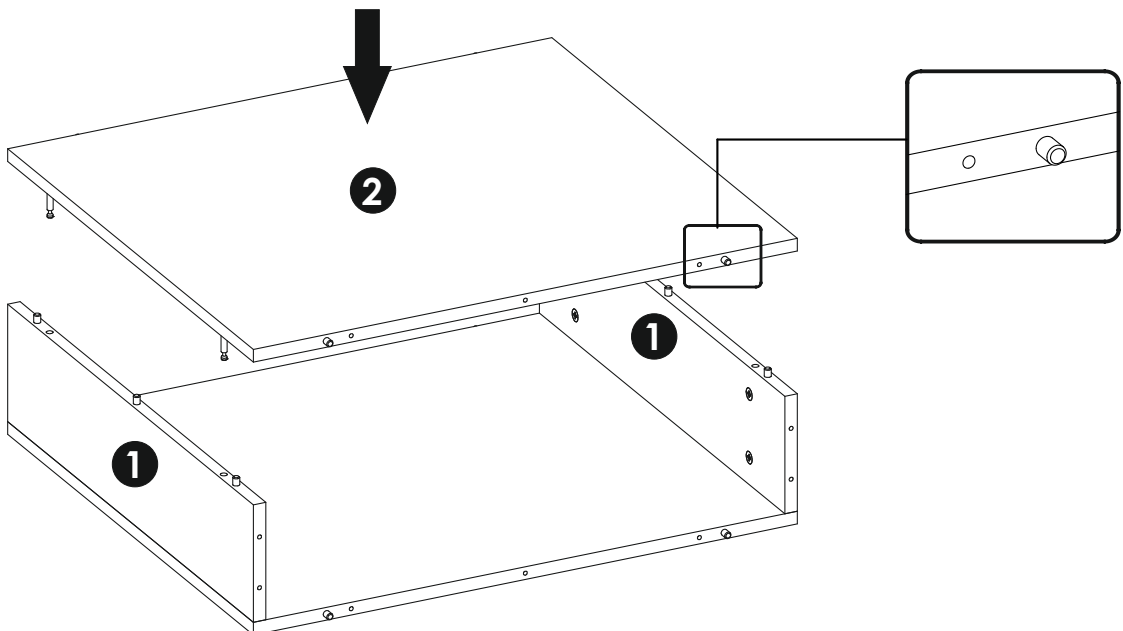
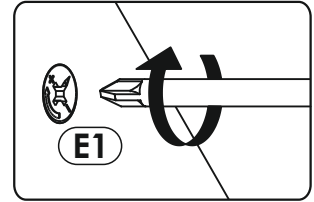
2 ▶



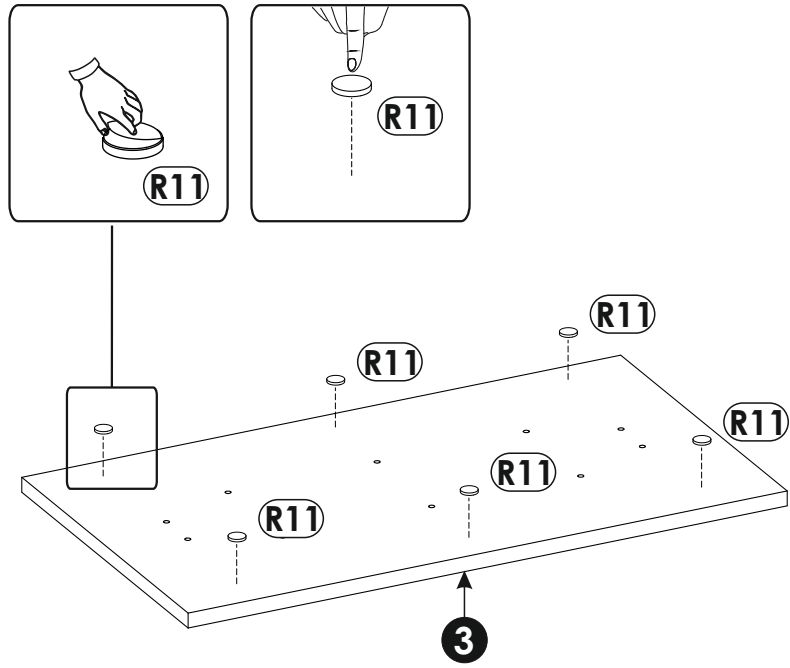
3 ▶



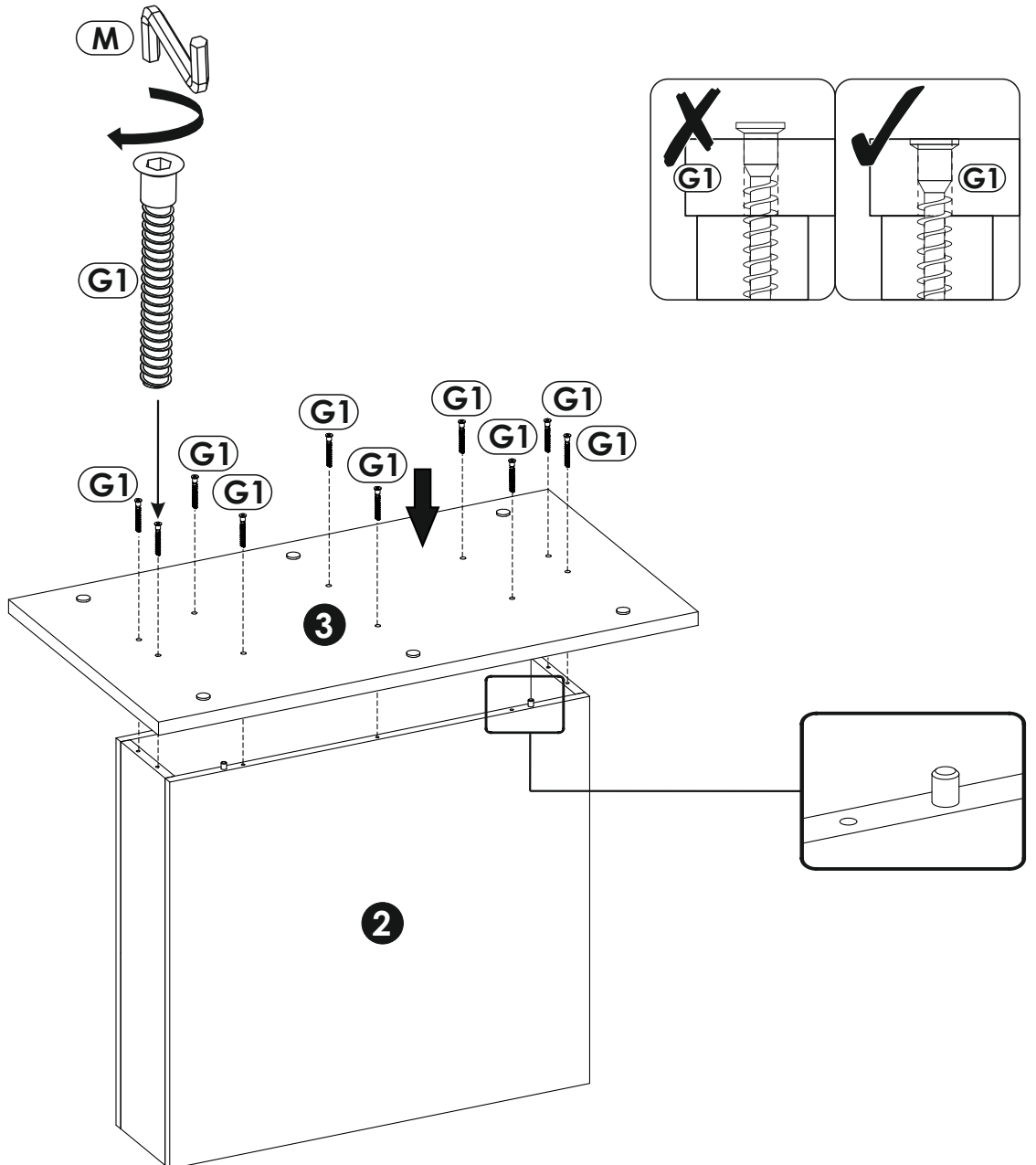
4 ▶



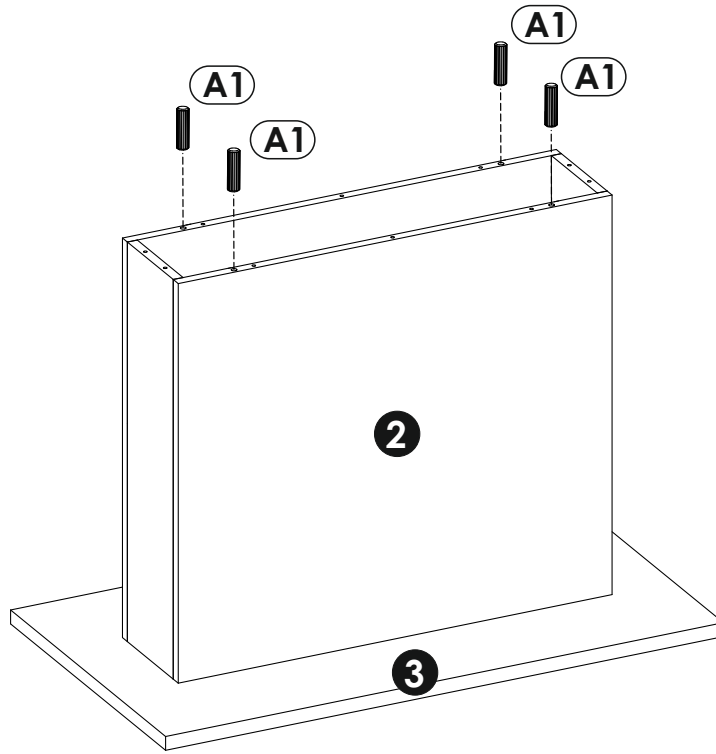
5 ▶



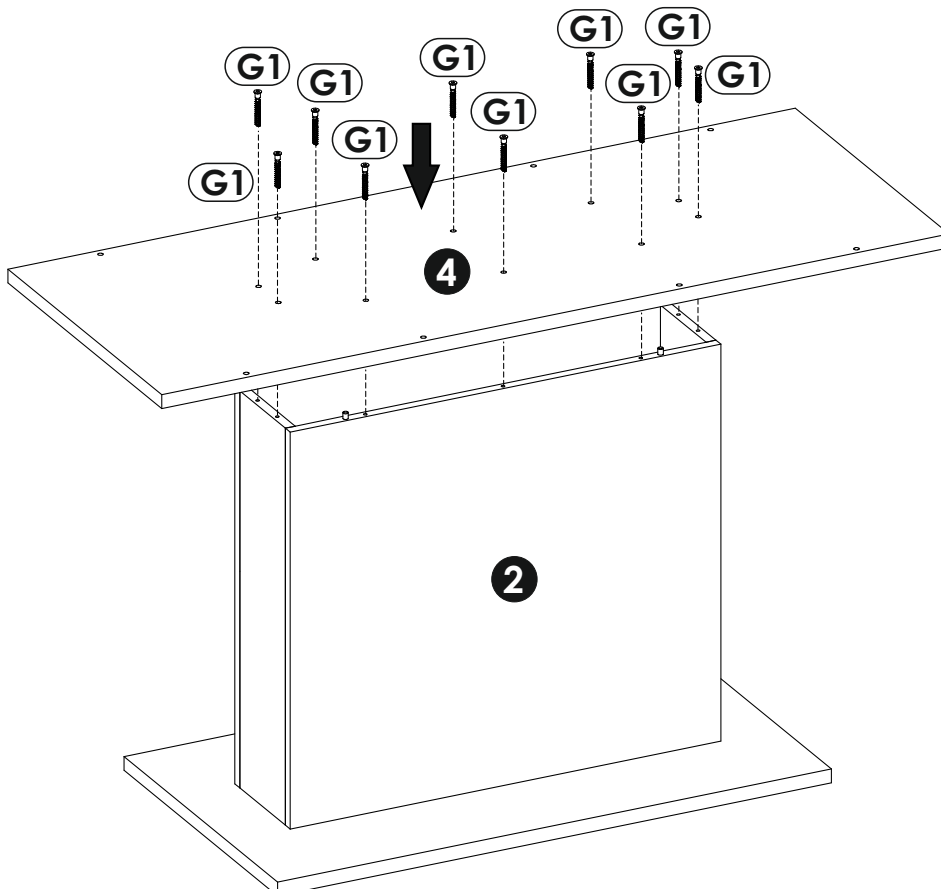
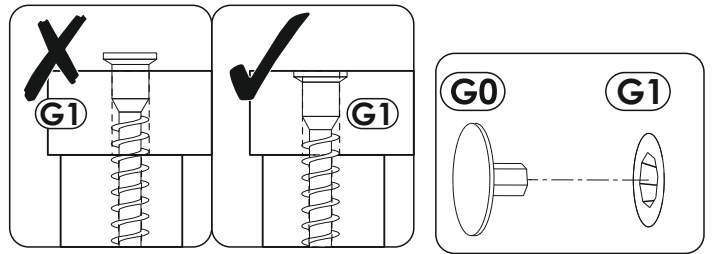
6 ▶



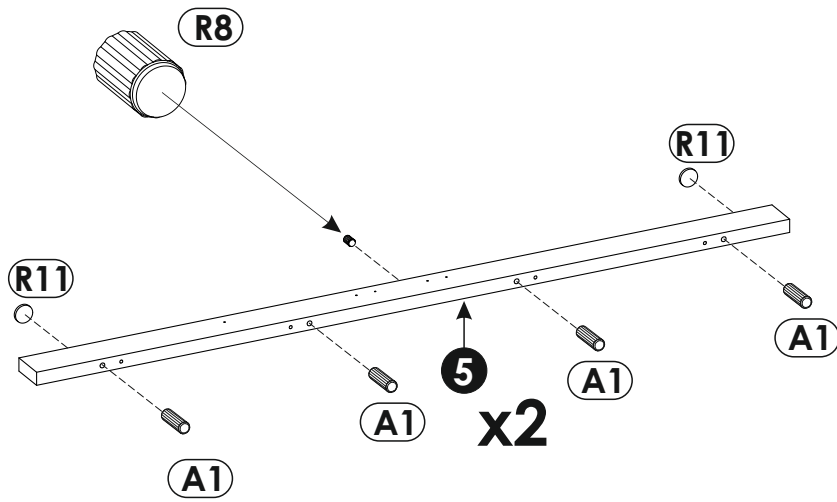
7 ▶



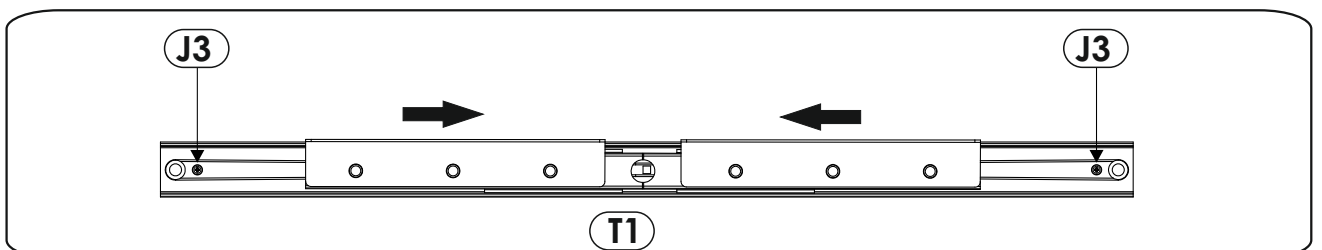
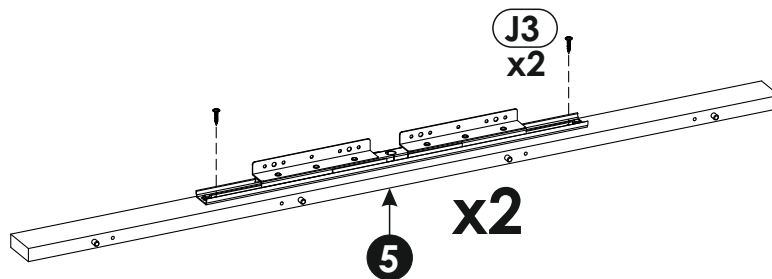
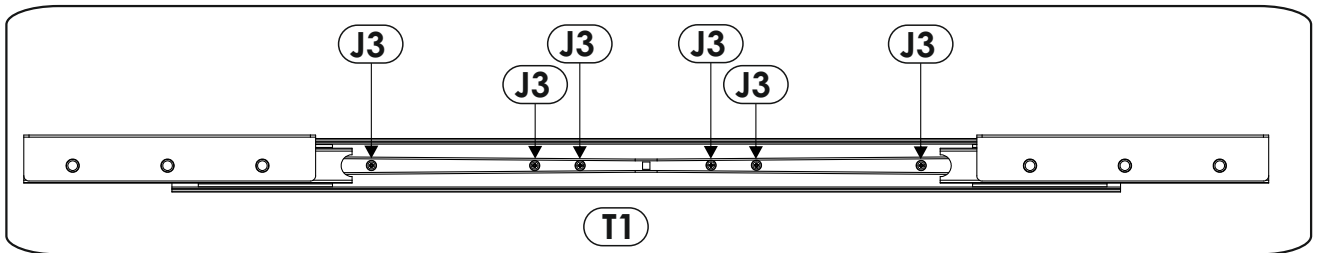
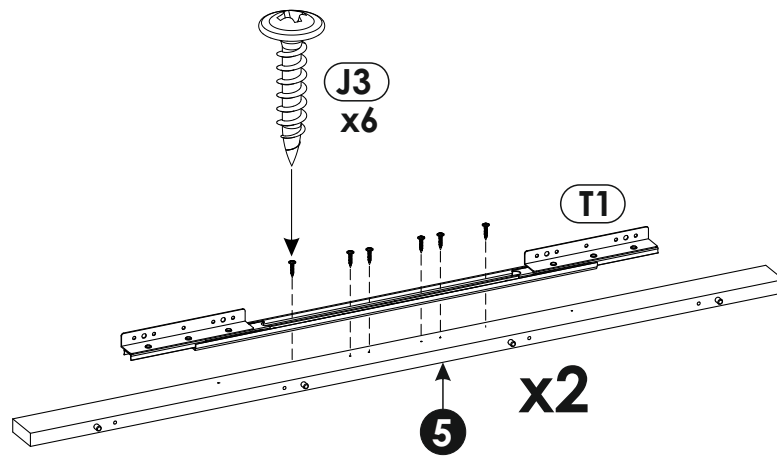
8 ▶



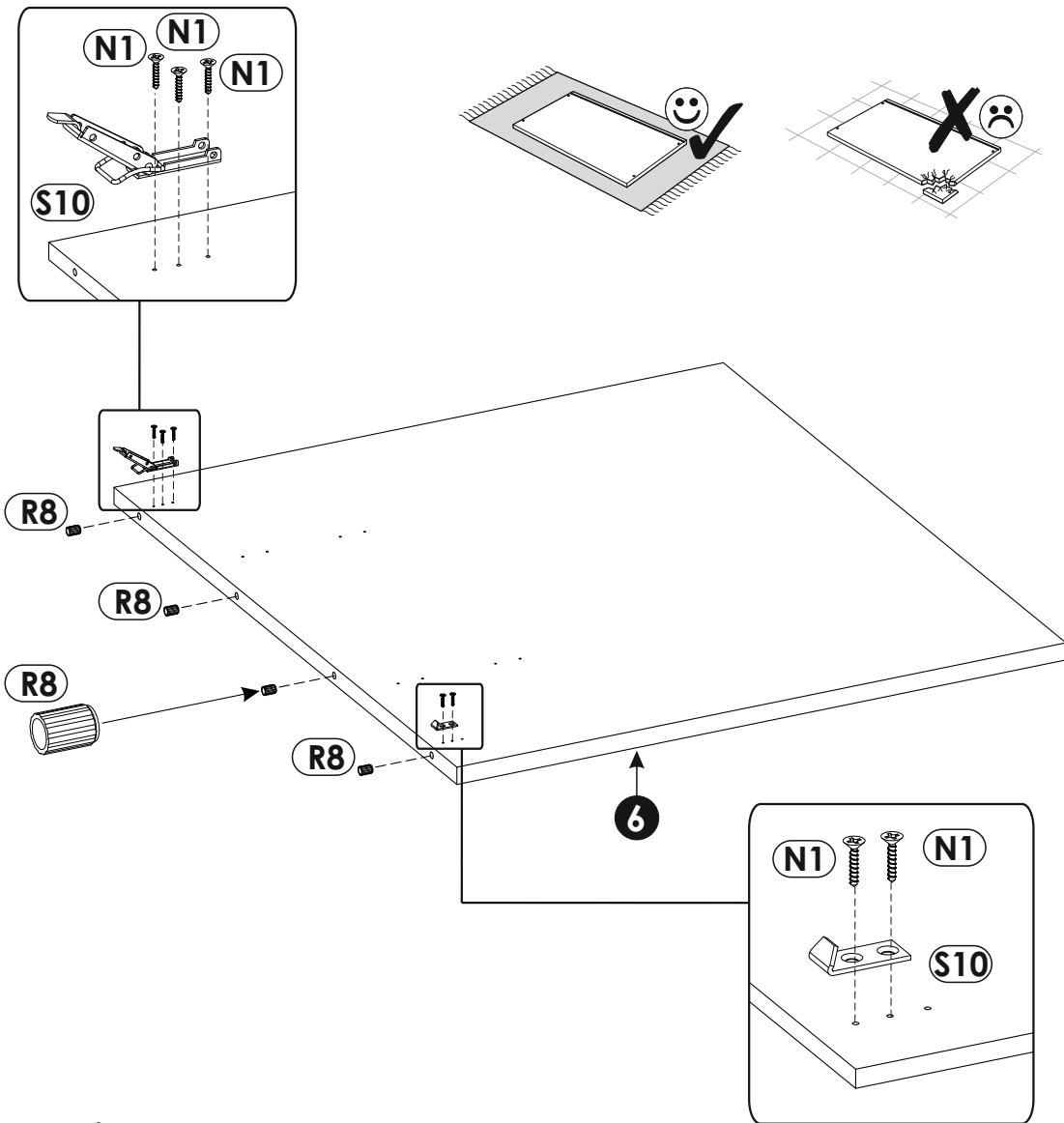
9 ▶



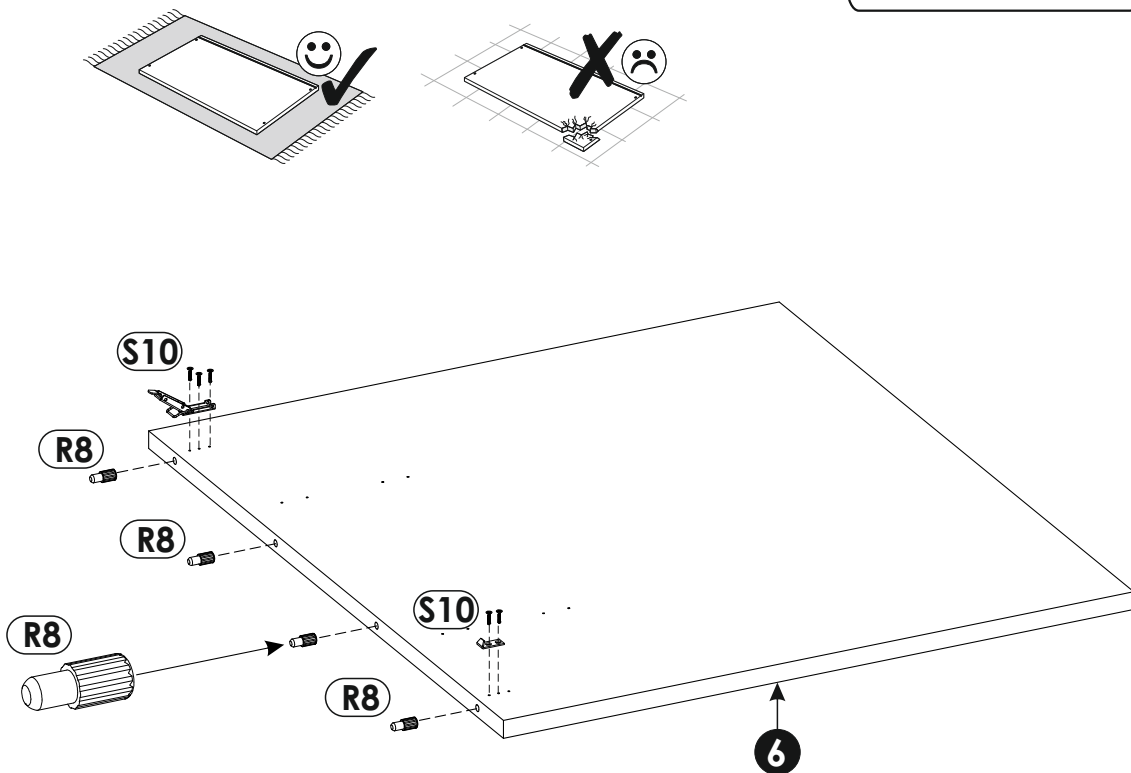
10 ▶



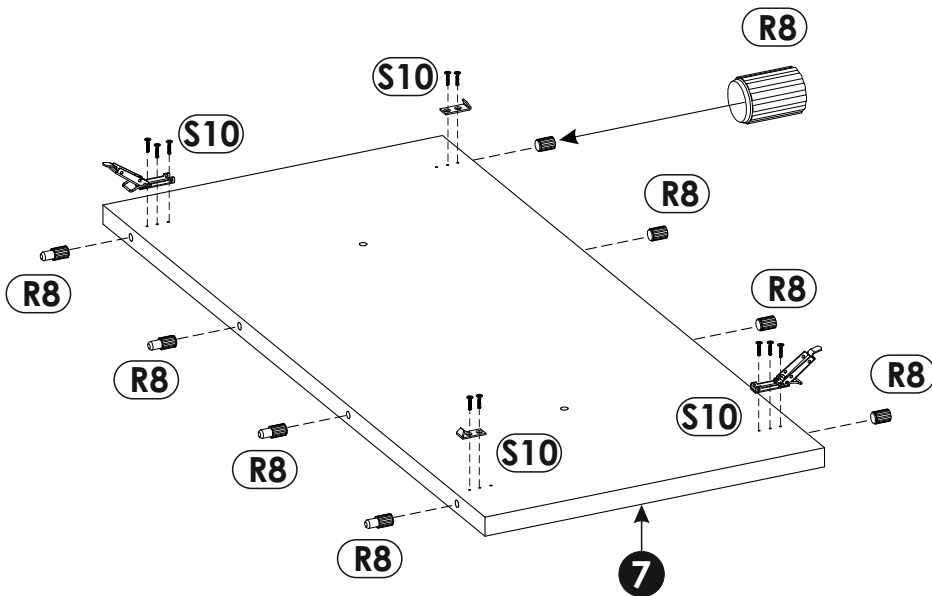
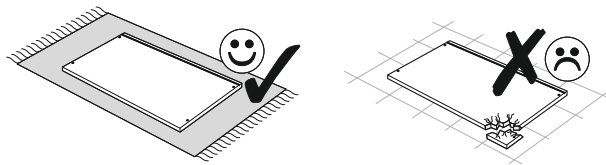
11 ▶



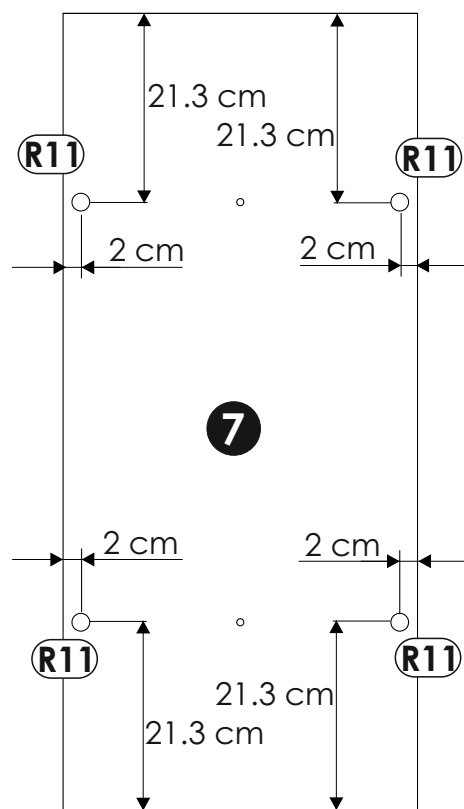
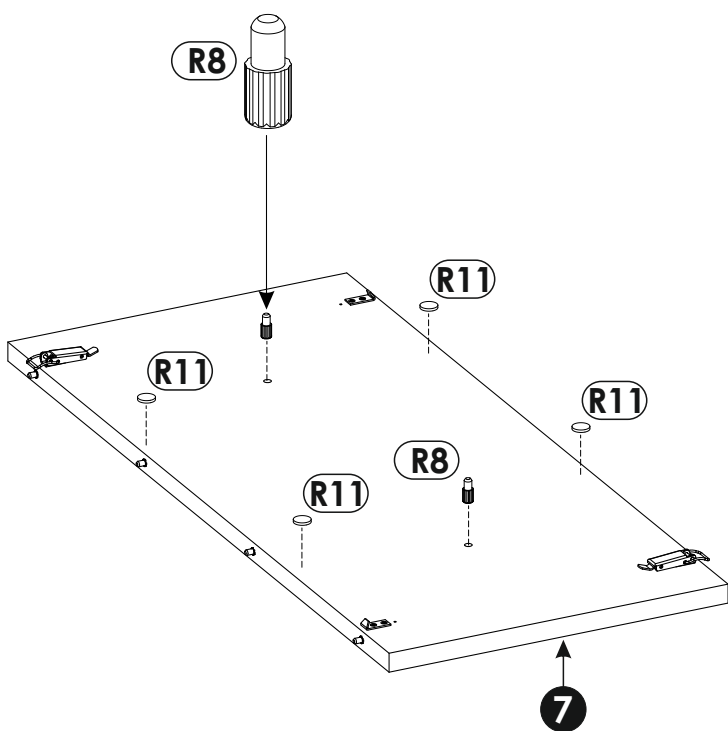
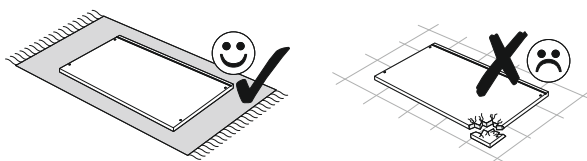
12 ▶



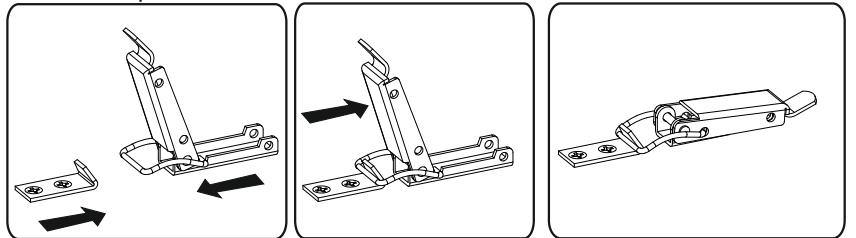
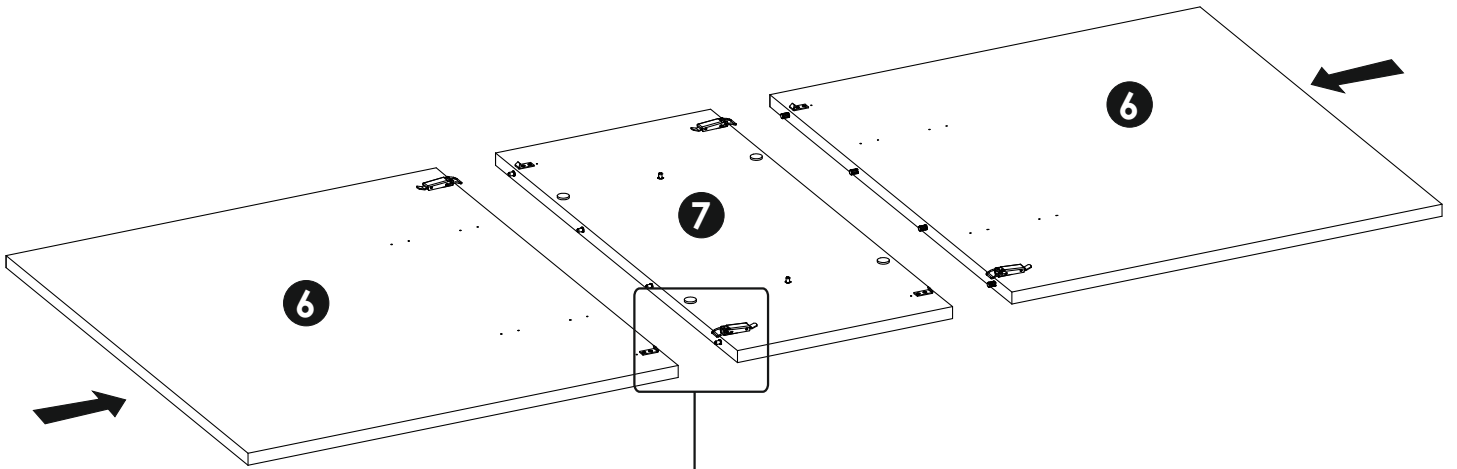
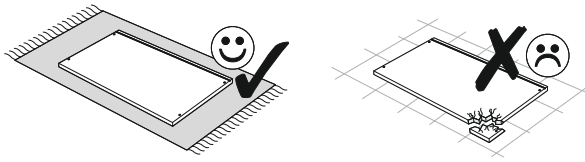
13▶



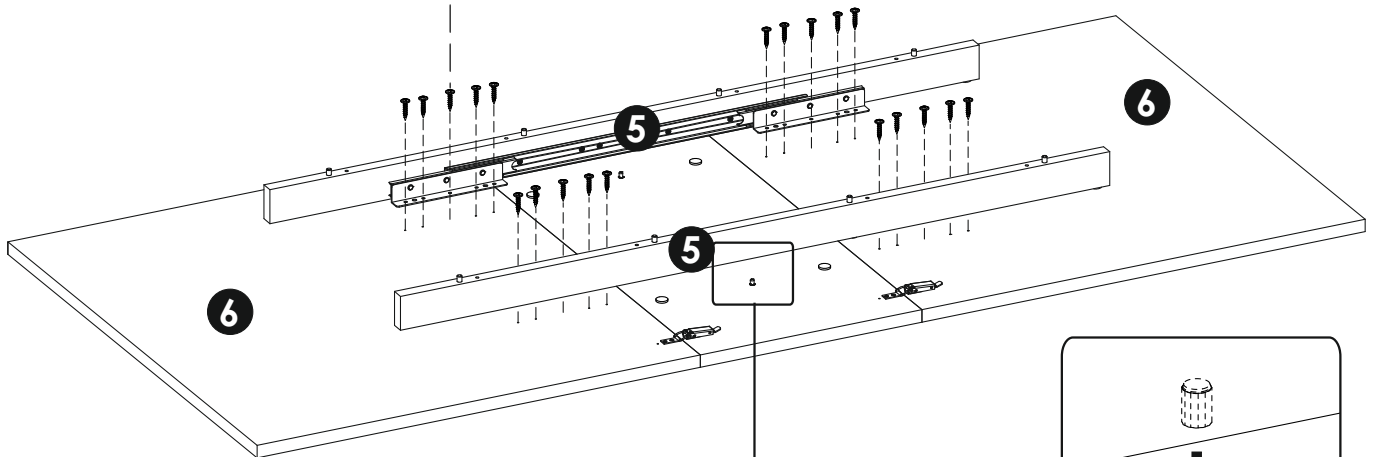
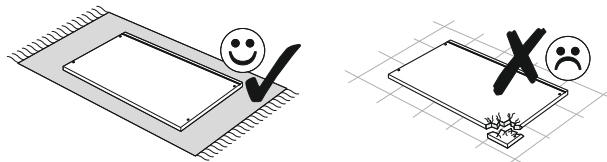
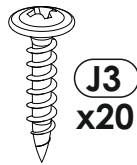
14▶



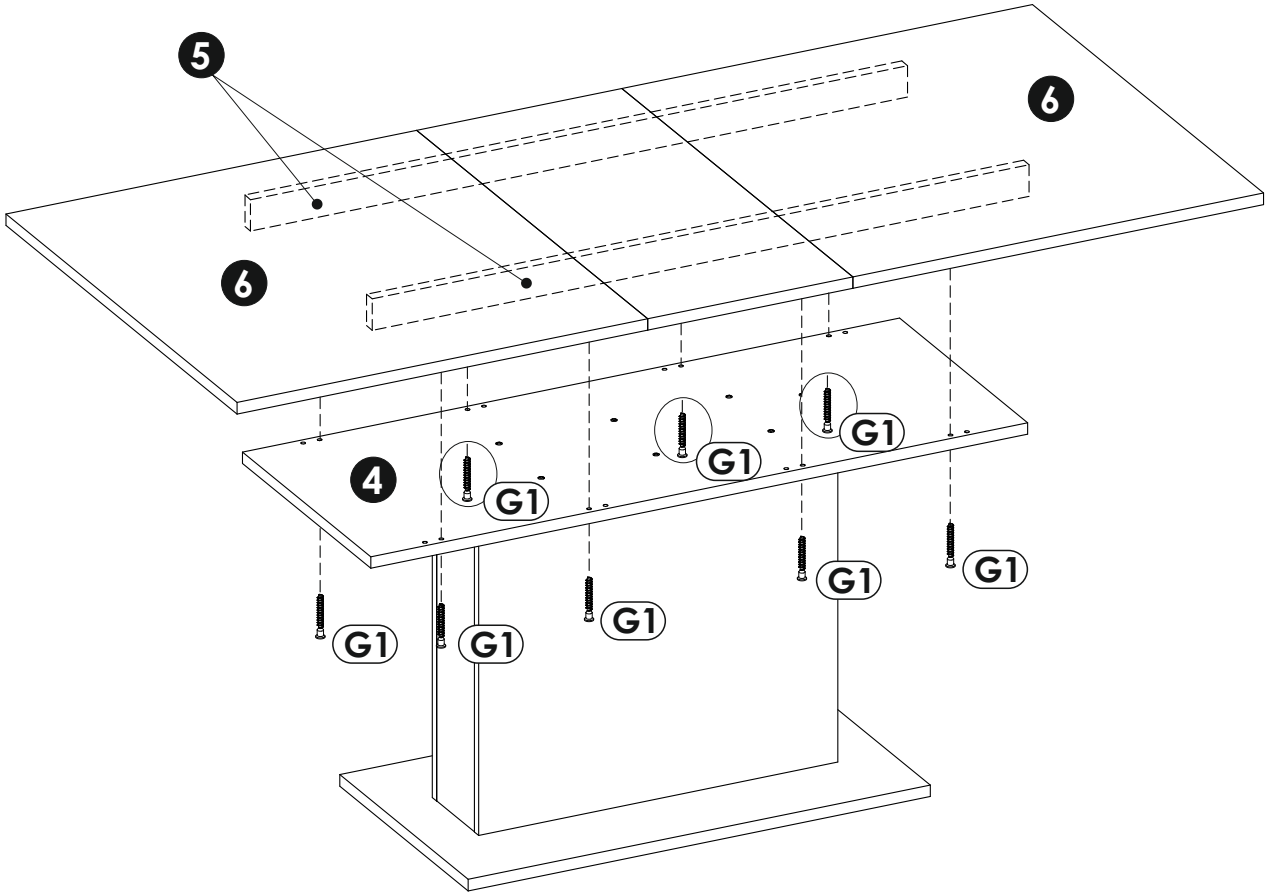
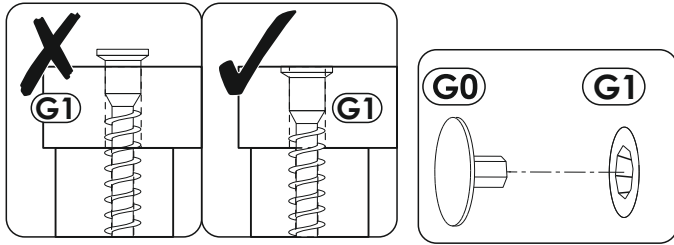
15▶



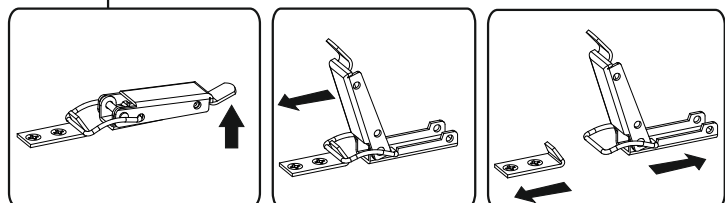
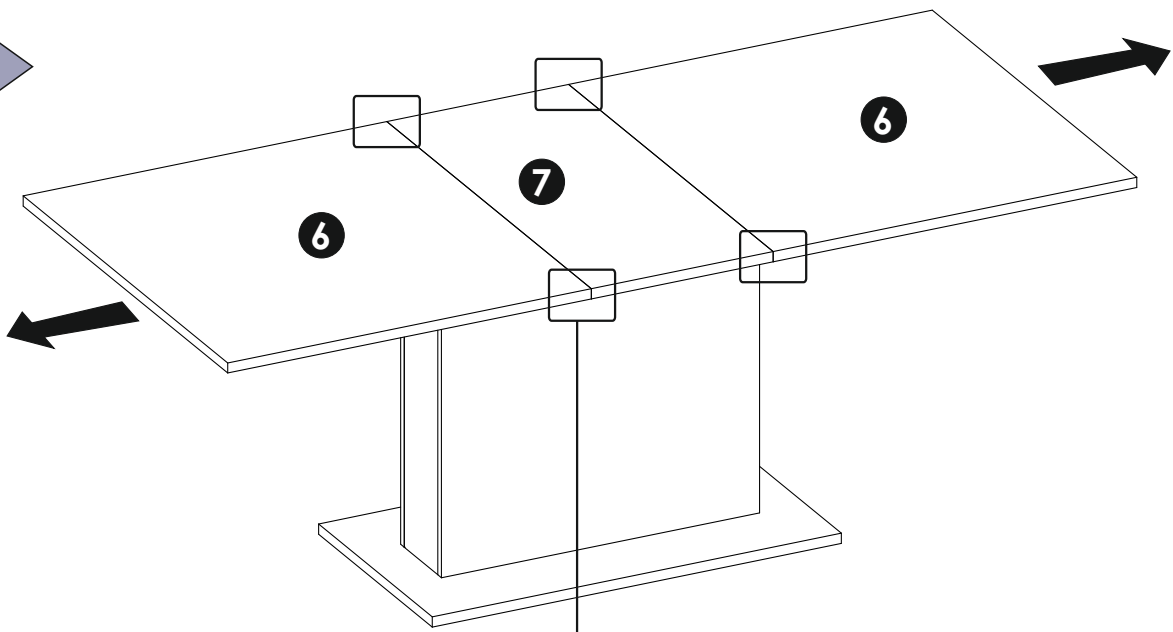
16▶



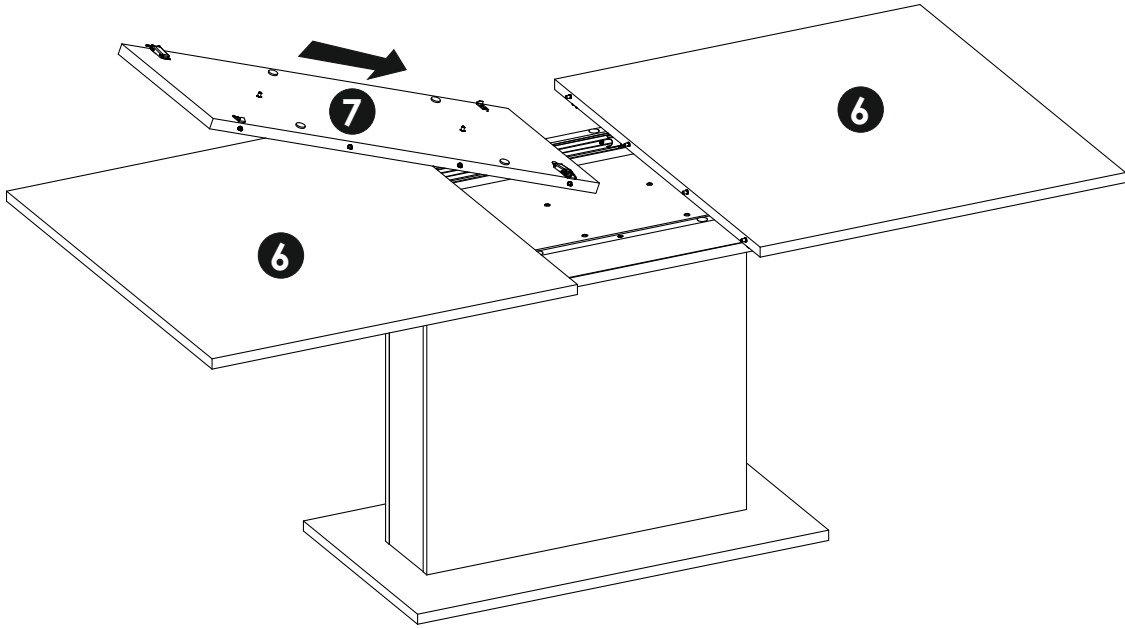
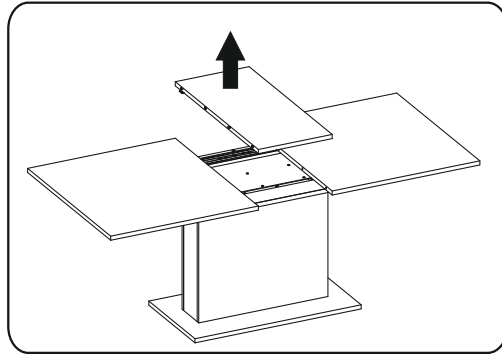
17▶



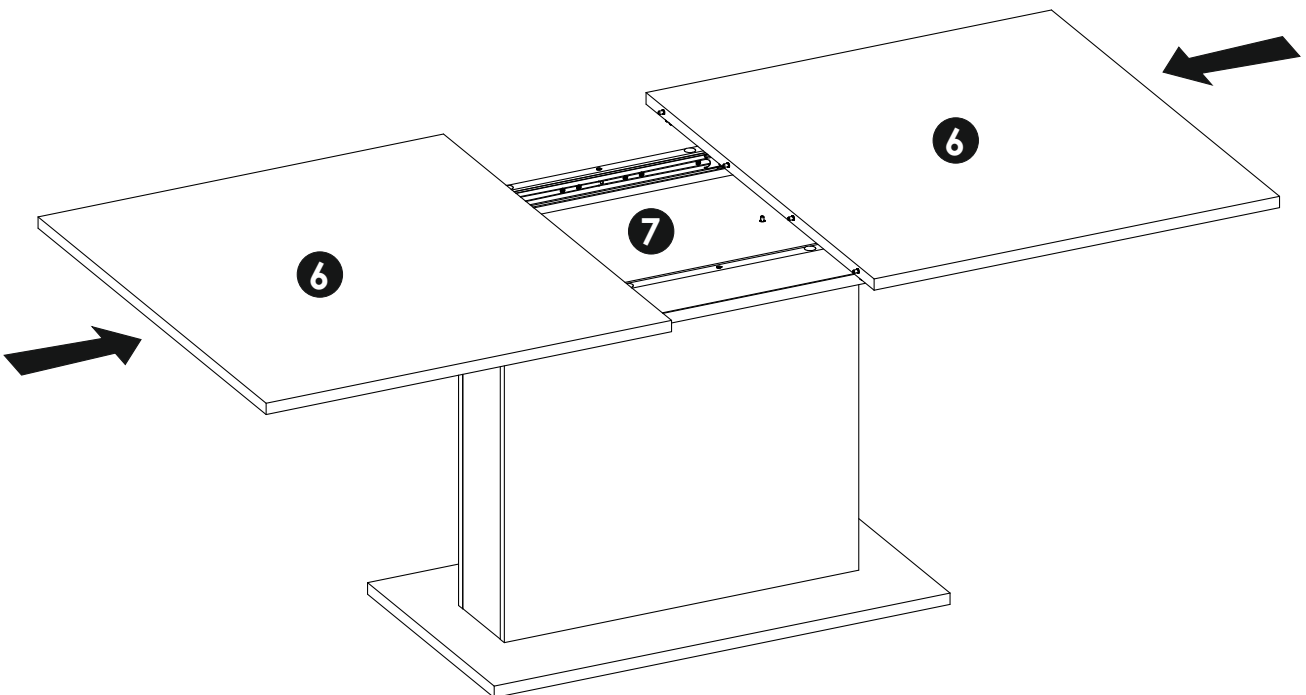
18▶



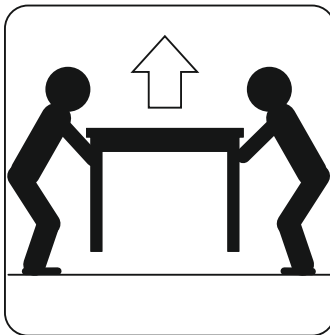
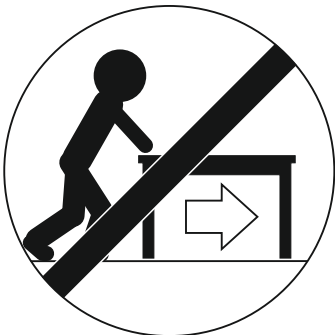
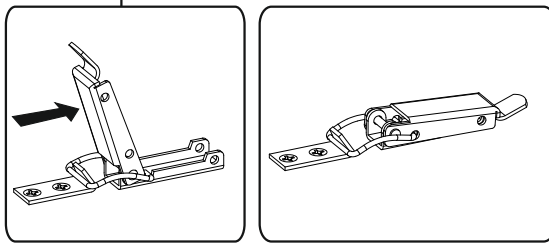
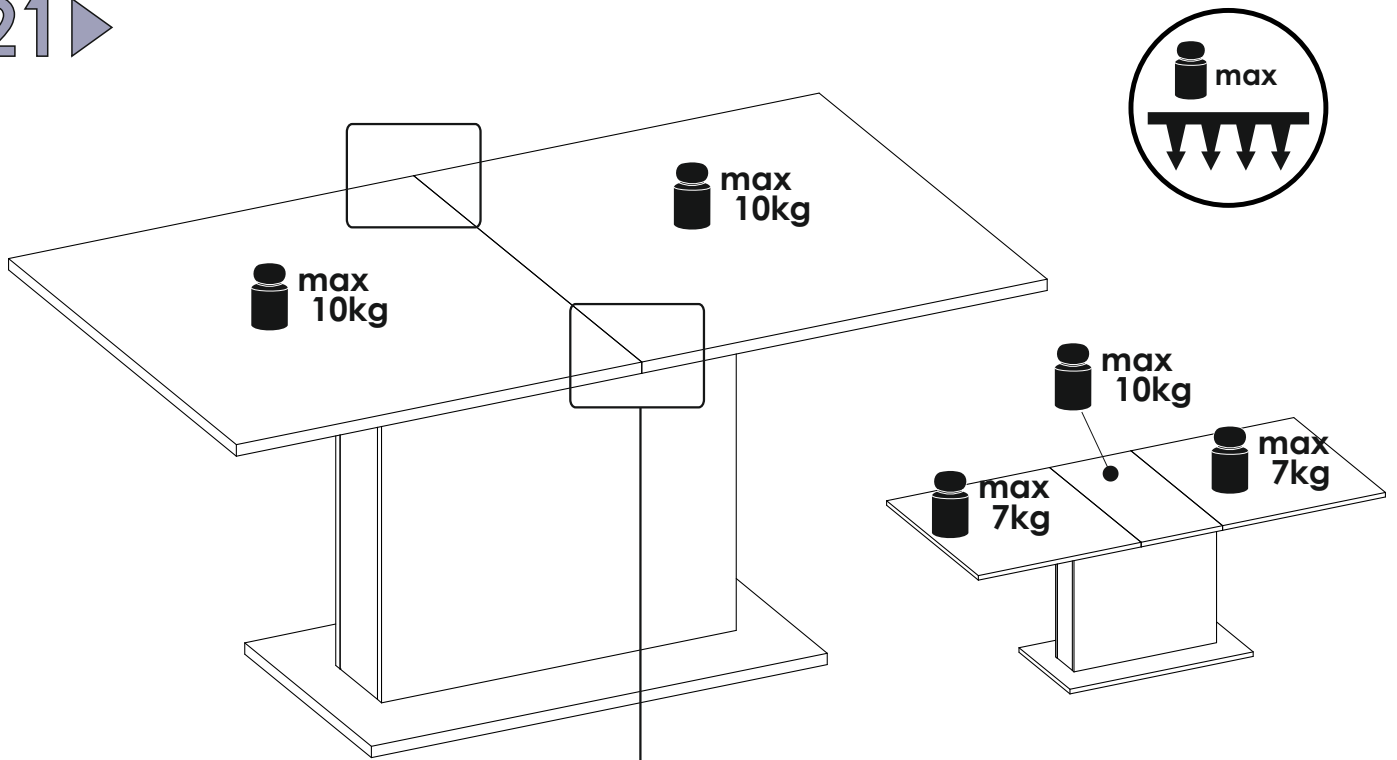
19▶

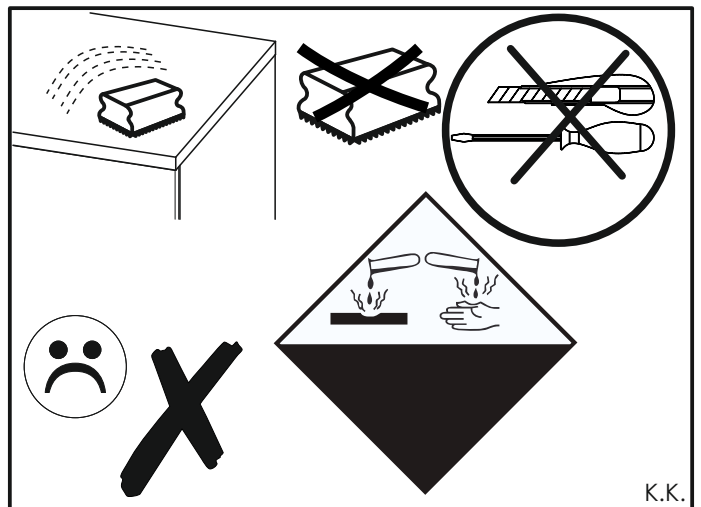
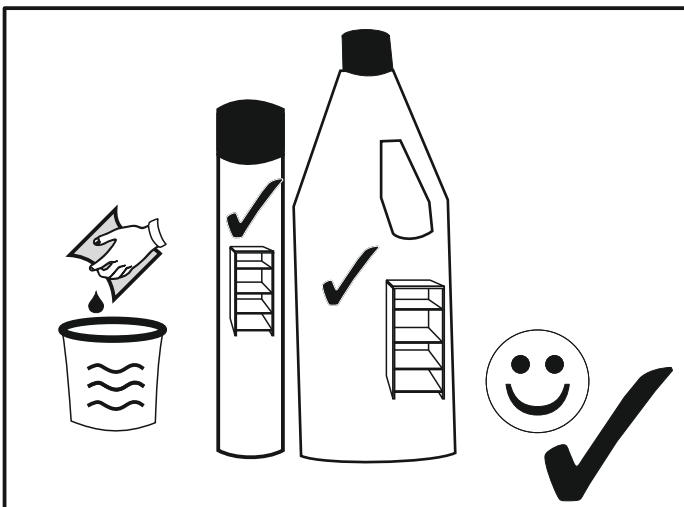
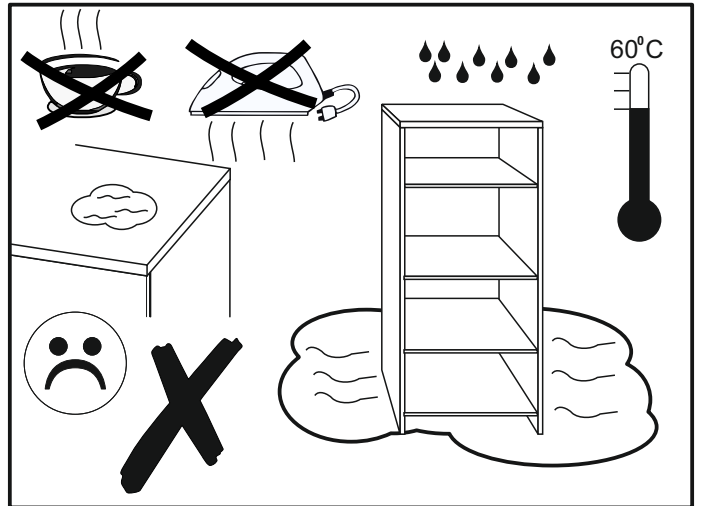
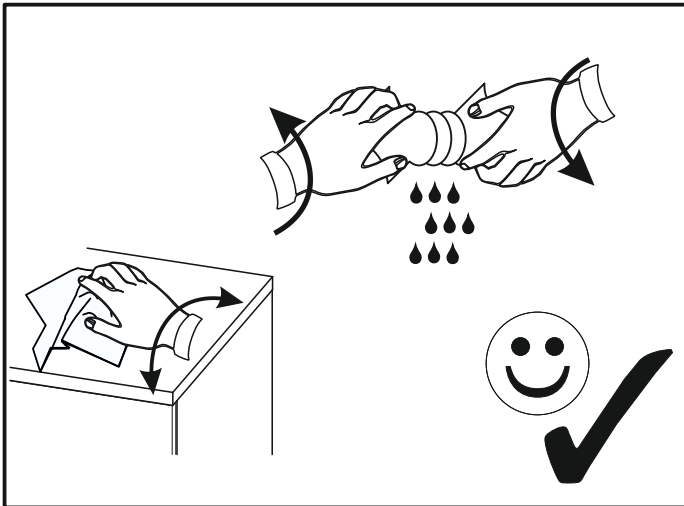
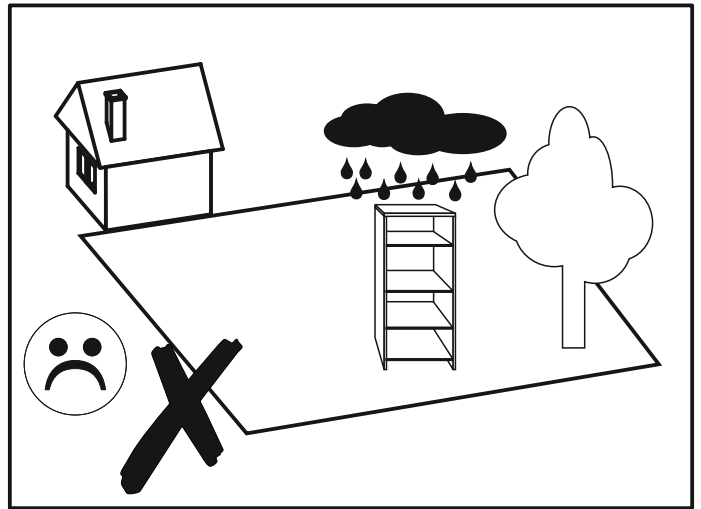
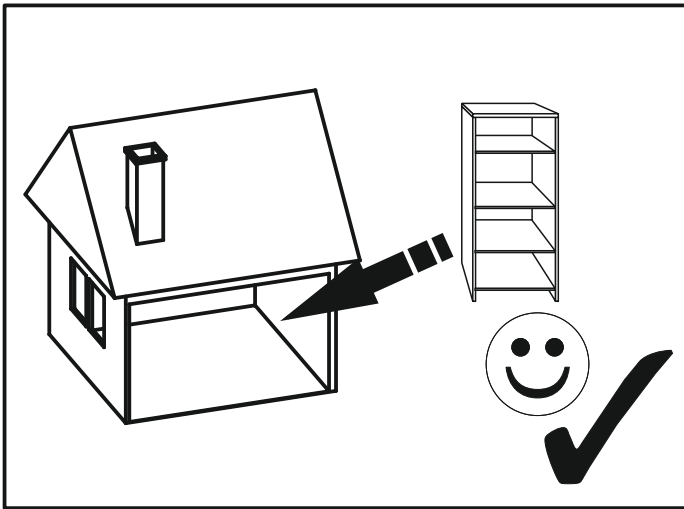


20▶



21 ▶





K.K.